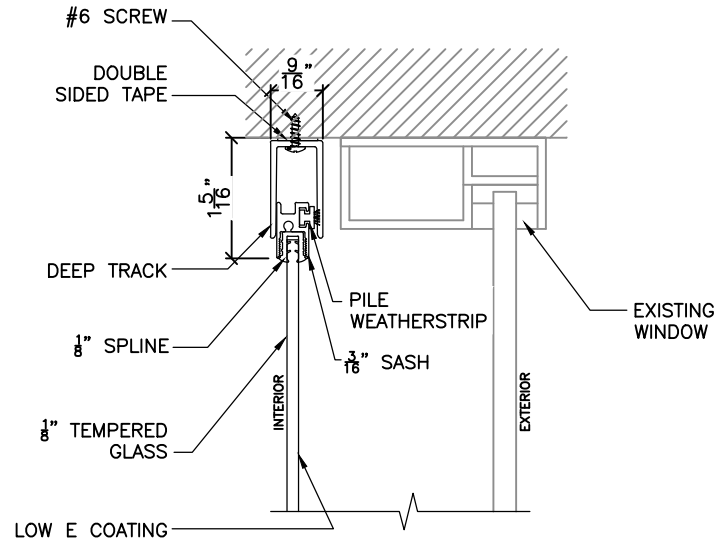
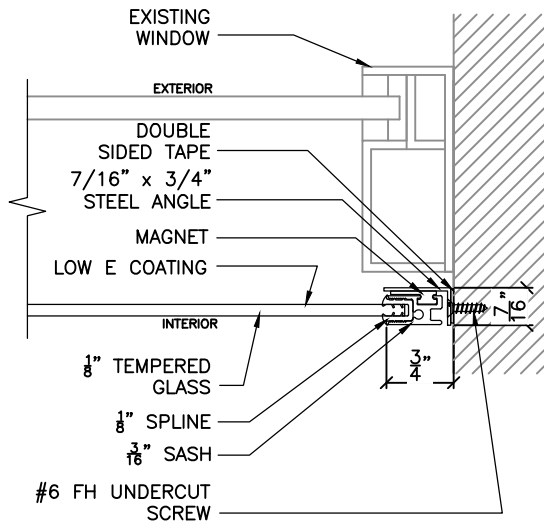


**INTERIOR ELEVATION**

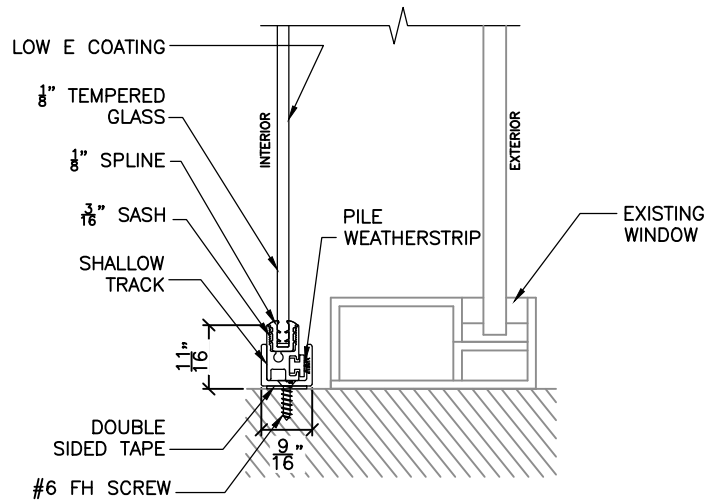
NOT TO SCALE



**1 HEAD DETAIL**  
SCALE: 6"=1'-0"



**2 JAMB DETAIL**  
SCALE: 6"=1'-0"



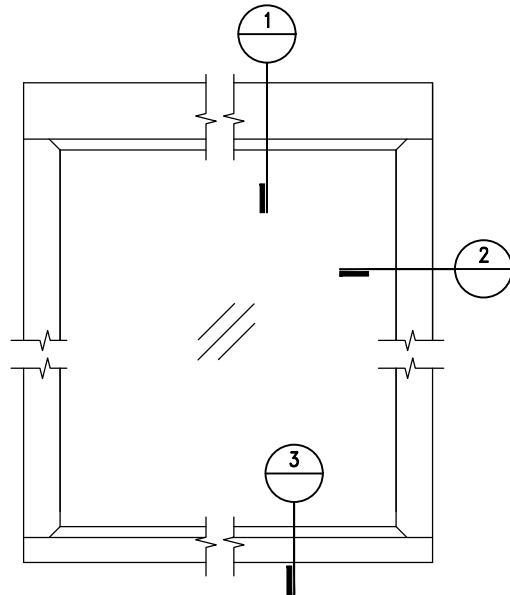
**3 SILL DETAIL**  
SCALE: 6"=1'-0"

NO.	REV.	DATE	DESCRIPTION

ENG. APPR:	DATE:
-	-
DRAWN BY:	DATE:
DB	8-21-19

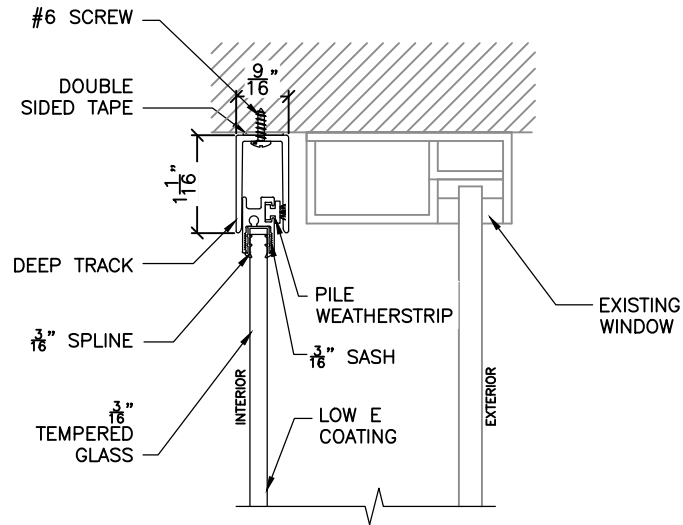
SCALE:
6"=1'-0"

DRAWING TITLE:	
RETROWAL CUTSHEET	
SHEET NO:	



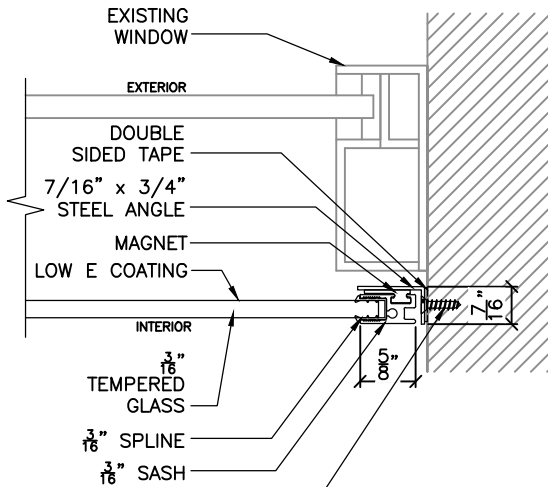
**INTERIOR ELEVATION**

NOT TO SCALE



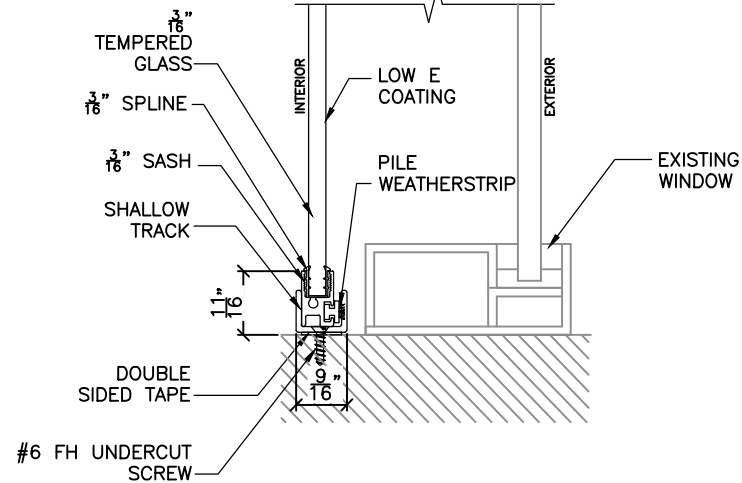
1 HEAD DETAIL

SCALE: 6"=1'-0"



2 JAMB DETAIL

SCALE: 6"=1'-0"



3 SILL DETAIL

SCALE: 6"=1'-0"

**THERMOLITE**  
WINDOW SYSTEMS

1330 HIGH ST  
SOUTH BEND, IN 46601  
OFFICE: (574)-234-4004  
FAX: (574) 234-4005  
THERMOLITEWINDOWS.COM

NO.	REV.	DATE	DESCRIPTION

NO.	REV.	DATE	DESCRIPTION

NO.	REV.	DATE	DESCRIPTION

ENG. APPR: -	DATE: -
--------------	---------

DRAWN BY: DB	DATE: 8-21-19
--------------	---------------

SCALE:  
6"=1'-0"

DRAWING TITLE:  
3/16" RETROWAL CUTSHEET

SHEET NO:  
1