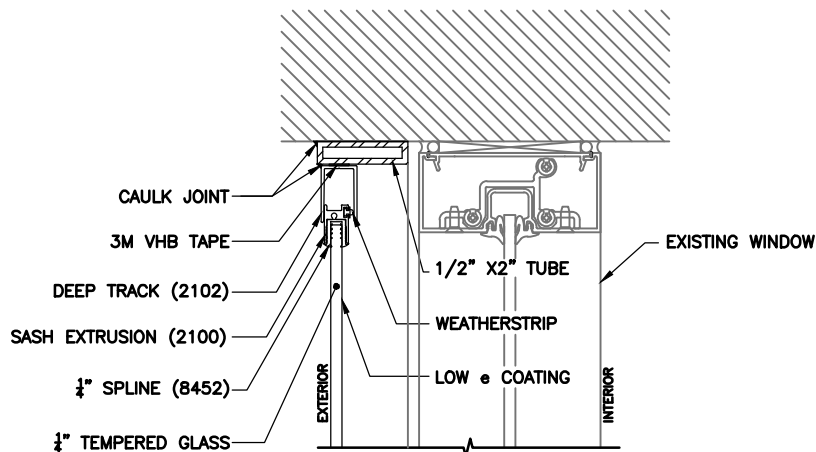
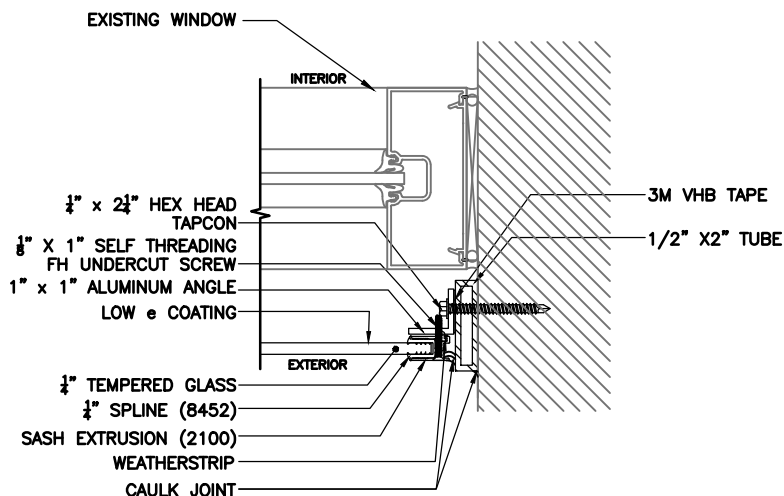


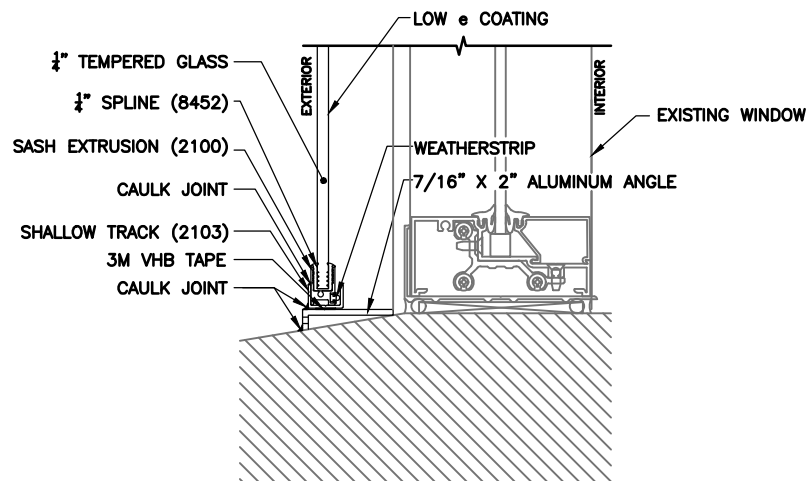
ELEVATION (EXTERIOR)
NOT TO SCALE



1 HEAD DETAIL
SCALE: 3"=1'-0"



2 JAMB DETAIL
SCALE: 3"=1'-0"



3 SILL DETAIL
SCALE: 3"=1'-0"

NO.	DESCRIPTION	DATE	REV. NO.	SUB. NO.

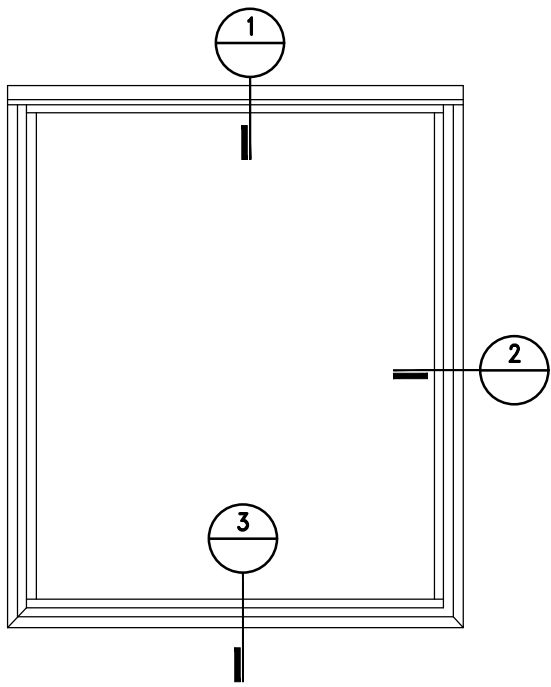
ENG. APPR: DATE:

DRAWN BY: DATE:
DB 5-26-16

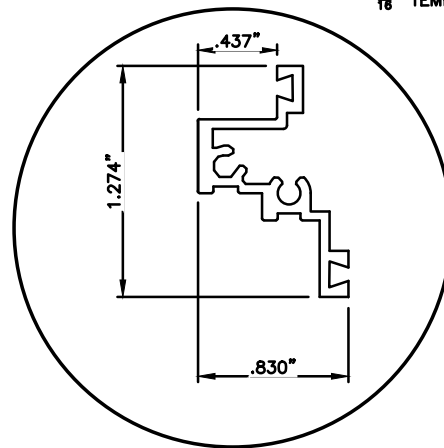
SCALE:
3" = 1'-0"

DRAWING TITLE:
ALX CUTSHEET

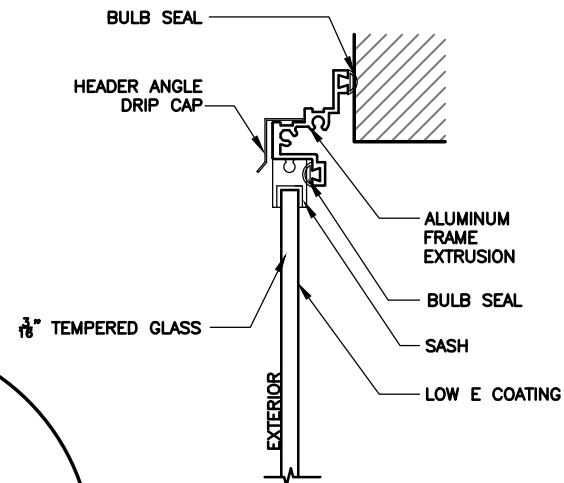
SHEET NO:



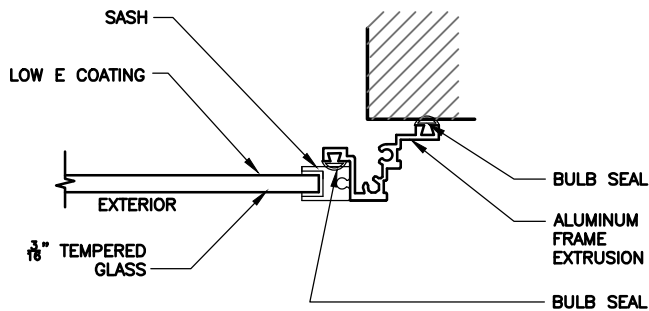
EXTERIOR ELEVATION
N.T.S



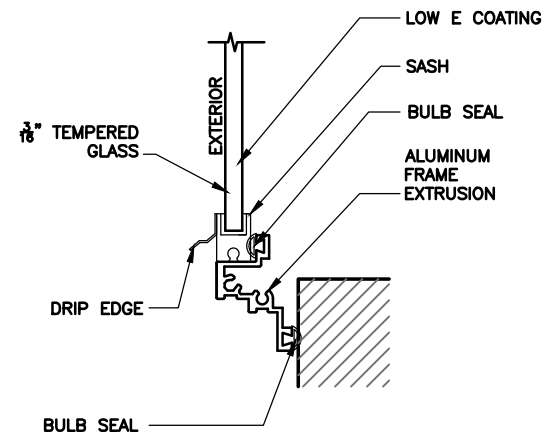
**FRAME EXTRUSION
DETAIL**
N.T.S



1 HEAD DETAIL
SCALE: 6"=1'-0"



2 JAMB DETAIL
SCALE: 6"=1'-0"



3 SILL DETAIL
SCALE: 6"=1'-0"

NO.	DESCRIPTION	DATE	REV. NO.	SUB. NO.

ENG. APPR:	DATE:
DRAWN BY:	DATE:
DB	4-8-18

SCALE:
6"=1'-0"
DRAWING TITLE:
ALX-P CUTSHEET
SHEET NO:
1