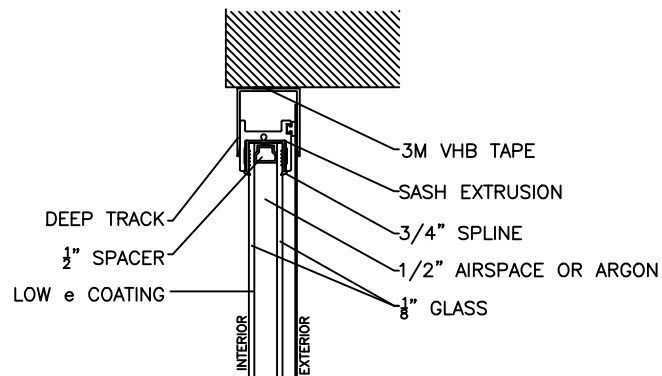
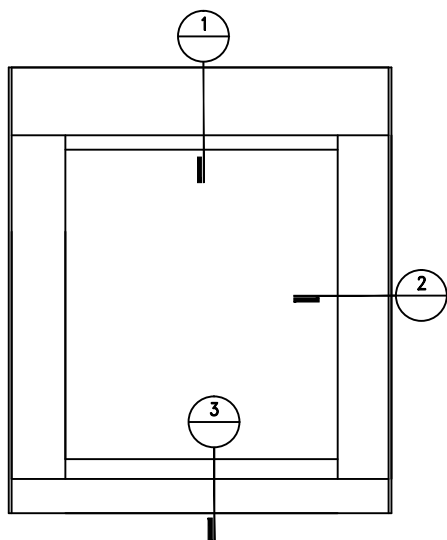
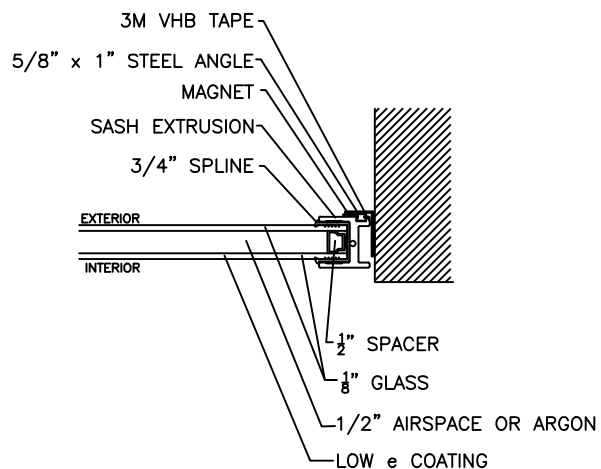


NOTE: MINIMAL MECHANICAL FASTENING MAY BE REQ'D.

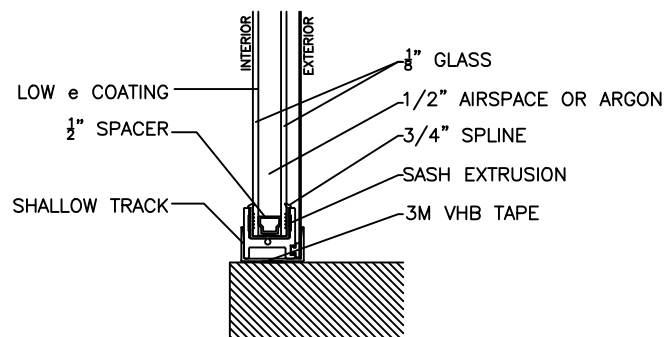
										DESCRIPTION
PROJECT NAME:										
-										
CONTRACTOR:										
-										
ENG. APPR:										DATE:
-										-
DRAWN BY:										DATE:
DB										5-26-16
SCALE:										
3" = 1'-0"										
DRAWING TITLE:										
RETROWAL - SILVER										
SHEET NO:										
1										



**1 HEAD DETAIL**  
SCALE: 3"=1'-0" ARCH. REF.:



**2 JAMB DETAIL**  
SCALE: 3"=1'-0" ARCH. REF.:



**3 SILL DETAIL**  
SCALE: 3"=1'-0" ARCH. REF.:

NOTE: MINIMAL MECHANICAL FASTENING MAY BE REQ'D.

NO.	REV.	DATE	DESCRIPTION

PROJECT NAME:  
-

CONTRACTOR:  
-

ENG. APPR:      DATE:  
-                      -

DRAWN BY:      DATE:  
DB                      5-26-16

SCALE:  
3" = 1'-0"

DRAWING TITLE:  
RETROWAL - GOLD

SHEET NO:  
1