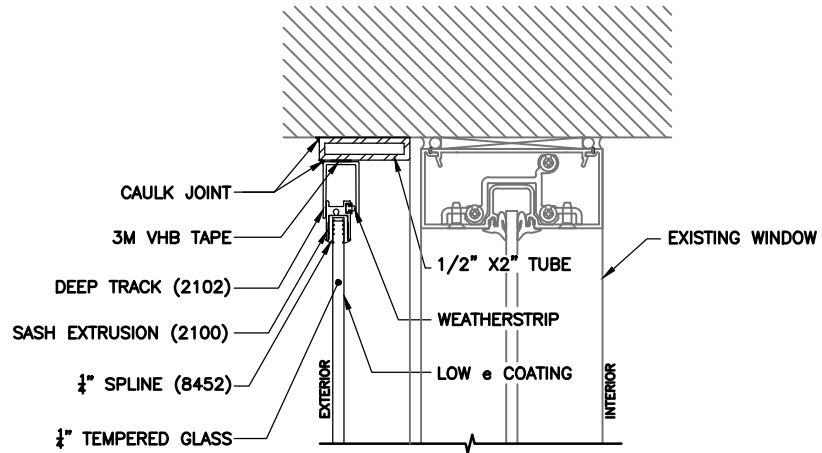
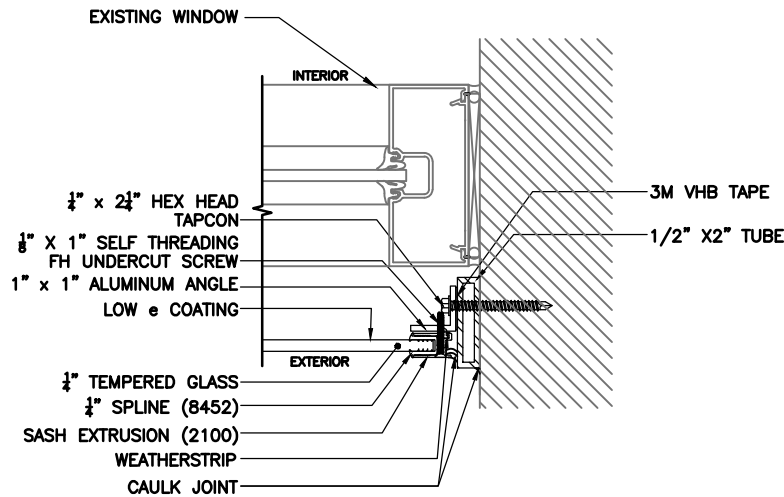


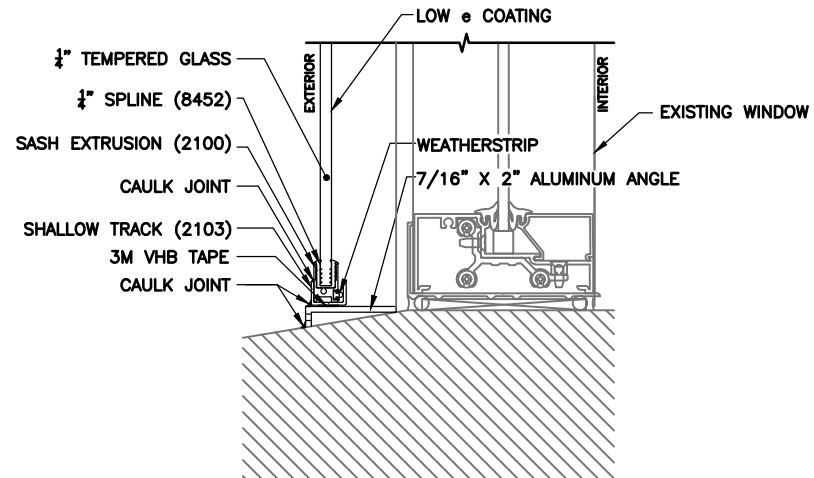
ELEVATION (EXTERIOR)
NOT TO SCALE



1 HEAD DETAIL
SCALE: 3"=1'-0"



2 JAMB DETAIL
SCALE: 3"=1'-0"



3 SILL DETAIL
SCALE: 3"=1'-0"

NO.	DESCRIPTION	DATE	REV.

ENG. APPR:	DATE:
-	-
DRAWN BY:	DATE:
DB	5-26-16

SCALE:
3" = 1'-0"
DRAWING TITLE:
ALX CUTSHEET
SHEET NO:
1