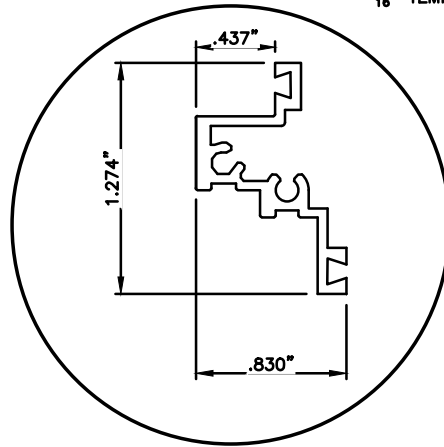
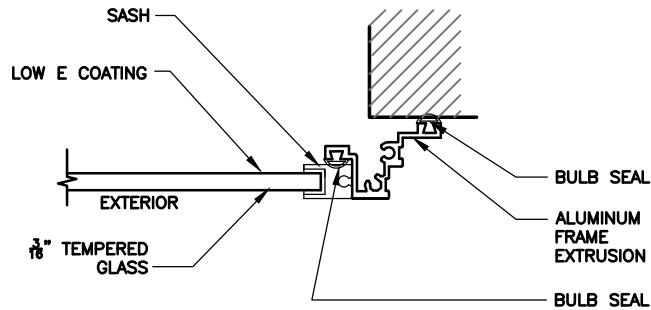
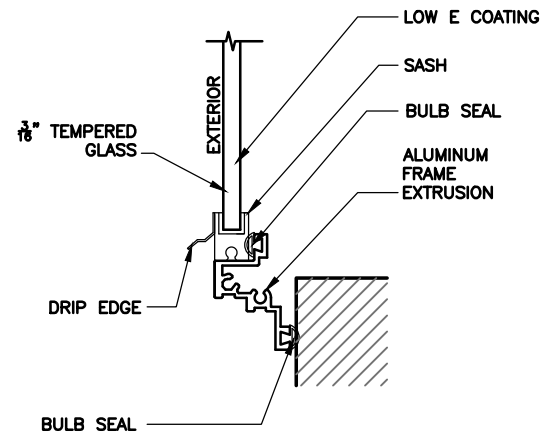
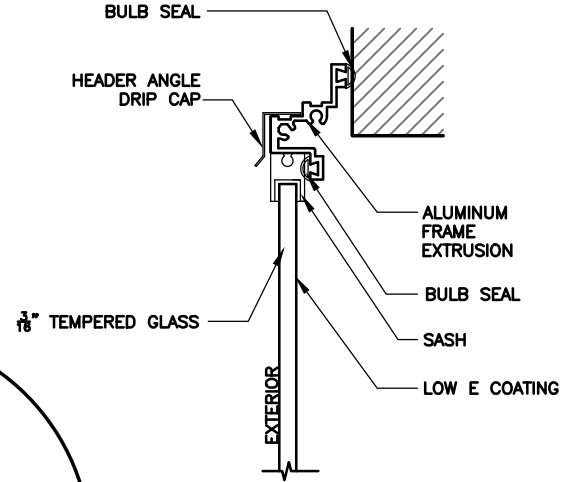


EXTERIOR ELEVATION
N.T.S



FRAME EXTRUSION
DETAIL
N.T.S



NO.	REV.	NO.	DATE	DESCRIPTION

ENG. APPR: _____ DATE: _____

DRAWN BY: DB DATE: 4-8-18

SCALE:
6" = 1'-0"

DRAWING TITLE:
ALX-P CUTSHEET

SHEET NO:
1