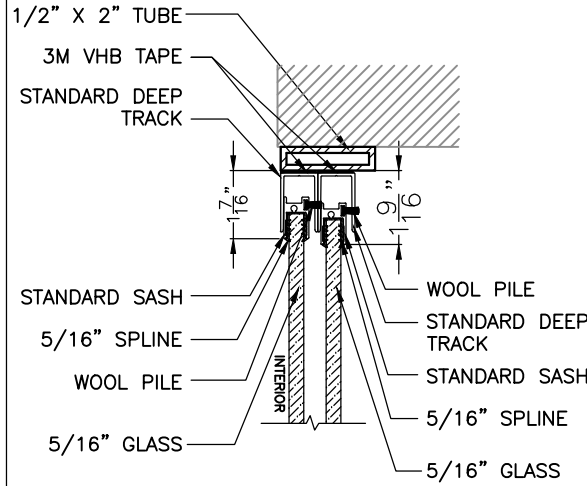
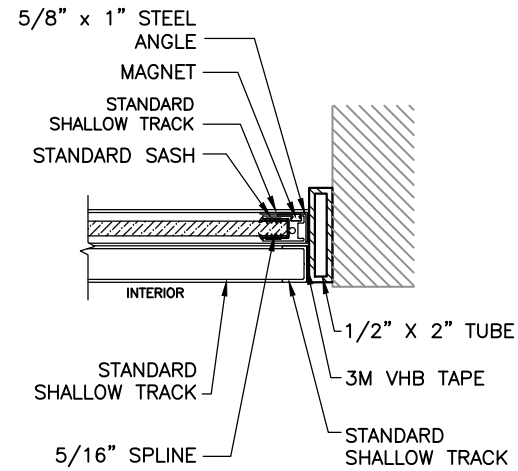


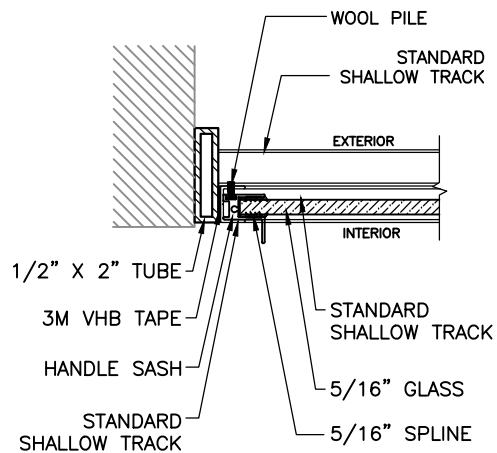
INTERIOR ELEVATION
N.T.S.



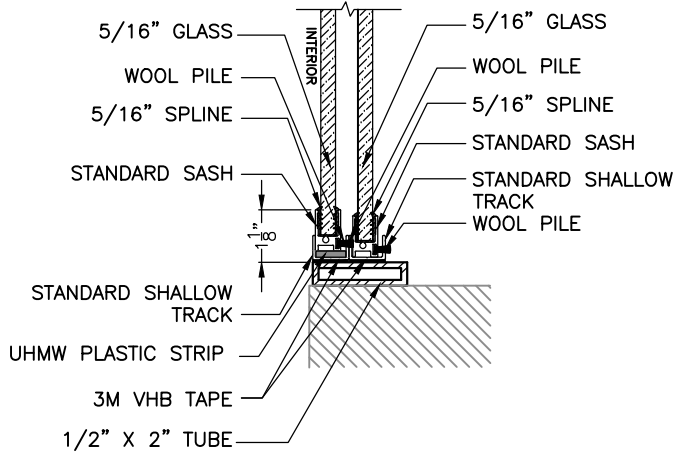
1 HEAD DETAIL
SCALE: 3"=1'-0" ARCH. REF.:



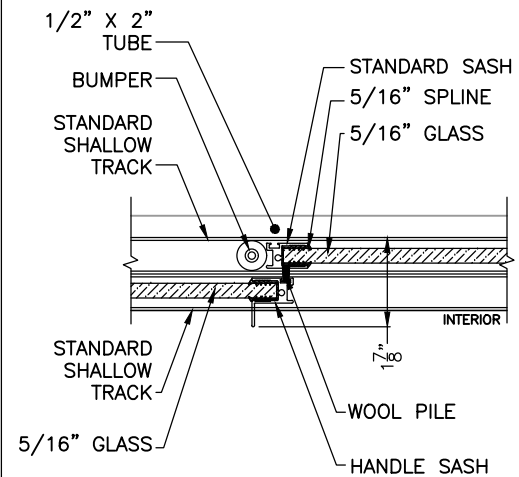
2 JAMB DETAIL
SCALE: 3"=1'-0" ARCH. REF.:



3 JAMB DETAIL
SCALE: 3"=1'-0" ARCH. REF.:



4 SILL DETAIL
SCALE: 3"=1'-0" ARCH. REF.:



5 MULLION DETAIL
SCALE: 3"=1'-0" ARCH. REF.:

THERMOLITE WINDOW SYSTEMS
1330 HIGH ST
SOUTH BEND, IN 46601
OFFICE: (574)-234-4004
FAX: (574) 234-4005
THERMOLITEWINDOWS.COM

NO.	DESCRIPTION	DATE	REV. NO.	SUB. NO.

PROJECT NAME: -	
CONTRACTOR: -	
ENG. APPR: -	DATE: -
DRAWN BY: DB	DATE: 9-18-19
SCALE: 3" = 1'-0"	
DRAWING TITLE: SLIDER CUTSHEET (2 PANEL)	
SHEET NO: 1	