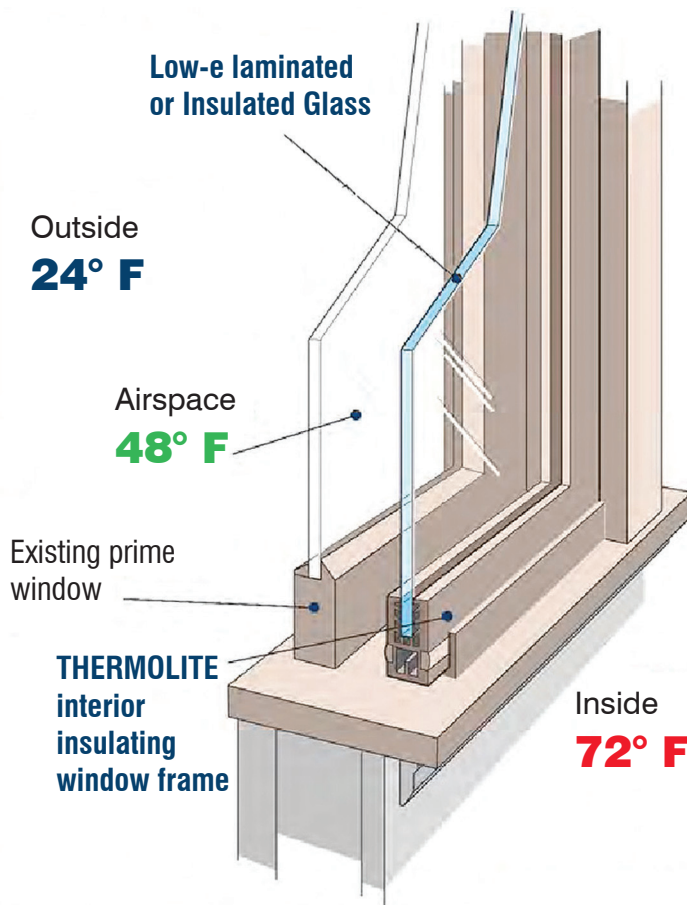


# THE THERMOLITE WINDOW SYSTEM

Thermolite's patented window systems install on the interior of existing windows to deliver superior performance and appearance at a fraction of the cost of replacement windows.

## FEATURES

- ✓ Full range of laminated, suspended film, insulated and low-emissivity coatings
- ✓ Between-glass blinds lower solar heat gain in the summer and raise it in the winter
- ✓ Easily attaches to fixed, storefront and curtainwall framework
- ✓ All aluminum construction- custom colors and contours
- ✓ Sound control window systems available at STC 49
- ✓ Hurricane and Blast mitigation options without effecting sightlines
- ✓ Made in the USA – Veteran Owned
- ✓ GSA Federal Supplier Schedule Contract # GS-07F-0116H



**THERMOLITE** ™  
WINDOW SYSTEMS

635 South Lafayette Boulevard | Phone: 574.234.4004  
South Bend, Indiana 46601 | Fax: 574.234.4005

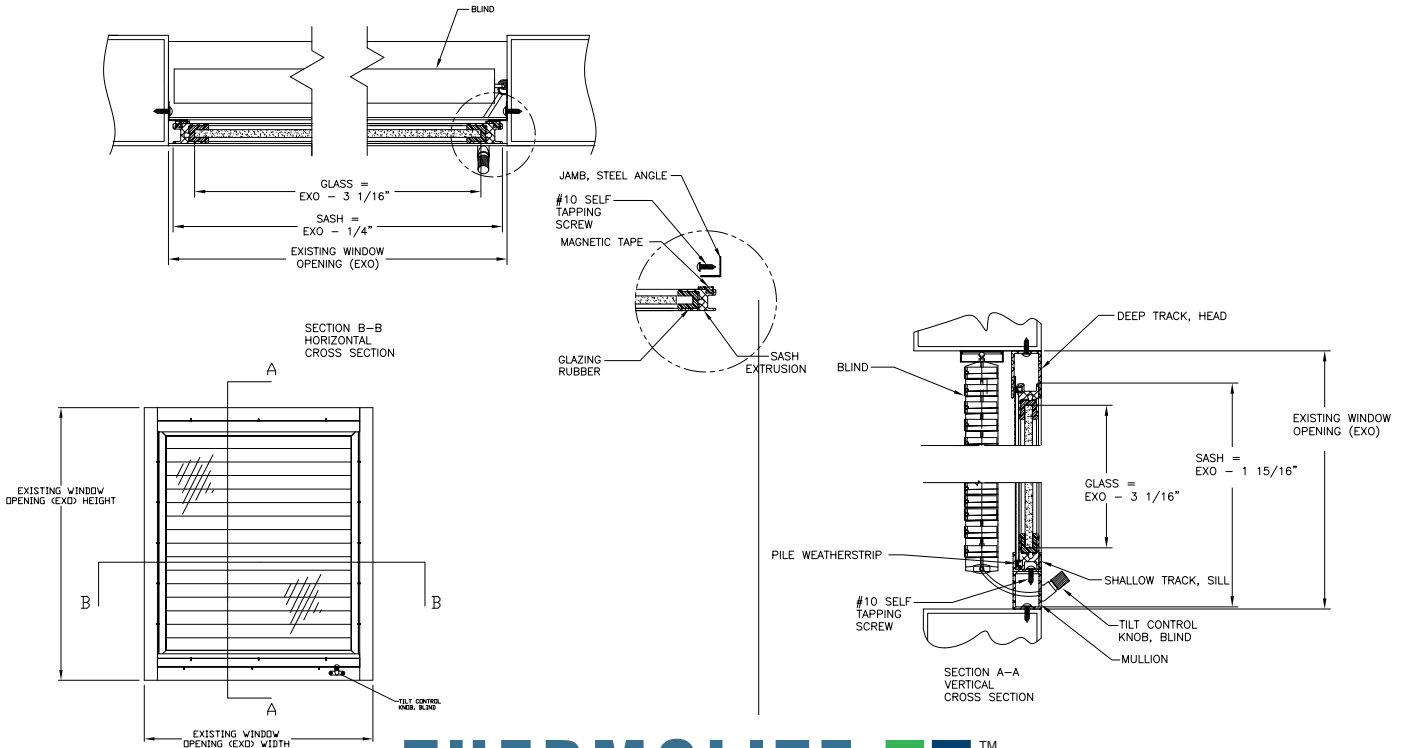
E-mail: [info@Thermolitewindows.com](mailto:info@Thermolitewindows.com) | Website: [www.Thermolitewindows.com](http://www.Thermolitewindows.com)

# THE THERMOLITE WINDOW SYSTEM

## The Window Replacement Alternative

| TEST*<br>(Independent Third-Party Testing, Detailed Information Available Upon Request) | BEFORE<br>Single Glazed Window       | AFTER<br>Single Glazed Window + THERMOLITE |
|-----------------------------------------------------------------------------------------|--------------------------------------|--------------------------------------------|
| Thermal Transmittance<br>U-Value Conduction                                             | 1.03                                 | .14 to .32                                 |
| Shading Coefficient<br>Solar Heat Gain                                                  | 0.82                                 | .16 to .45                                 |
| Air Infiltration (15 mph)<br>Air Infiltration (25 mph)                                  | 0.28 cfm/sq. ft.<br>0.50 cfm/sq. ft. | 0.01 cfm/sq. ft.<br>0.04 cfm/sq. ft.       |
| Sound Transmission Class                                                                | 26                                   | 49                                         |
| Blast Resistancy                                                                        | Performance Condition 5 (failure)    | Up to Performance Condition 1              |

\*All numbers are calculated using LBNL Window 6.3 program. All numbers are calculated with and without blinds in between glass.



**THERMOLITE**  TM  
WINDOW SYSTEMS

635 South Lafayette Boulevard | Phone: 574.234.4004  
South Bend, Indiana 46601 | Fax: 574.234.4005

E-mail: [info@Thermolitewindows.com](mailto:info@Thermolitewindows.com) | Website: [www.Thermolitewindows.com](http://www.Thermolitewindows.com)